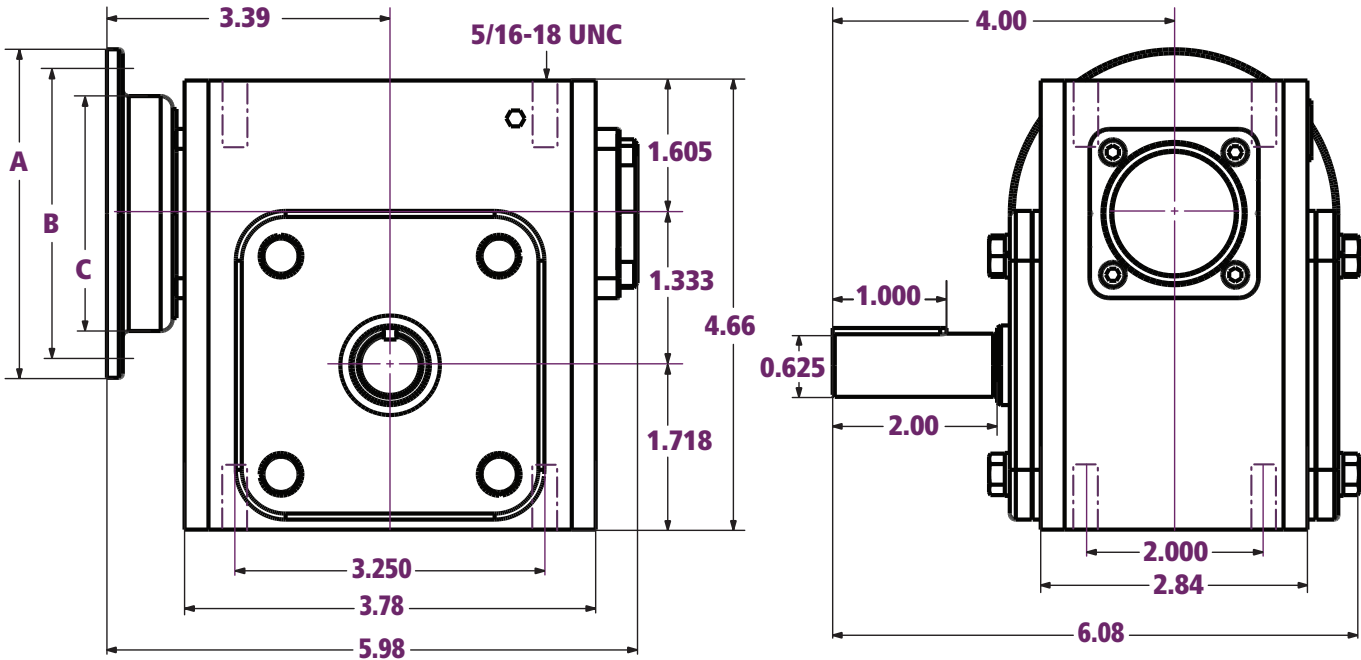




X133 Dimensions

All dimensions listed in inches



Motor Options & Dimensions (in)

NEMA Frame	Motor Shaft Dia. (in)	A	B	C
		OD Flange	Bolt Circle	Pilot Bore
56C	0.625	6.50	5.88	4.5

Ratios

Nominal Ratios	Exact Ratios
5:1	5.5:1
10:1	10.3:1
15:1	15.5:1
20:1	19.5:1
30:1	30.0:1
40:1	40.0:1
50:1	50.0:1
60:1	60.0:1

Efficiency

Nominal Ratios	Efficiency (%)
5:1	~ 91
10:1	~ 86
15:1	~ 80
20:1	~ 78
30:1	~ 66
40:1	~ 65
50:1	~ 59
60:1	~ 53

Specifications

Center Distance (in)	Weight (lbs)	Est. Oil Fill Amount* (oz)
1.333	13.2 [14.3]	4.7

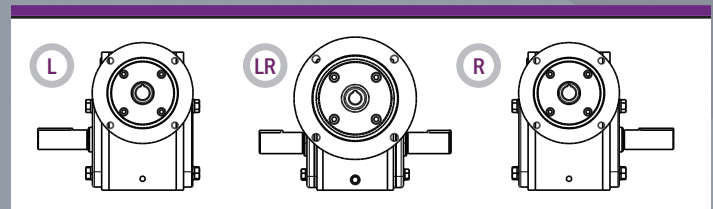
*For Position 1

†Approximate weight for LR Handing

Output Shaft

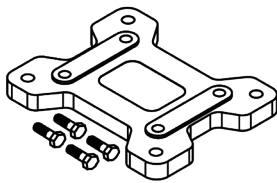
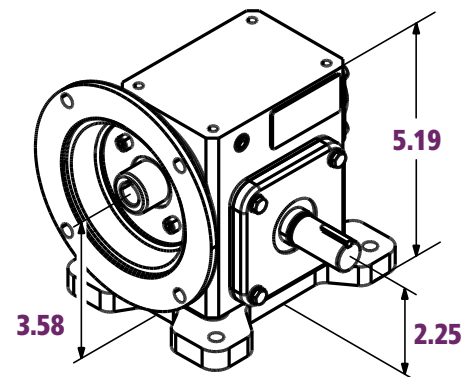
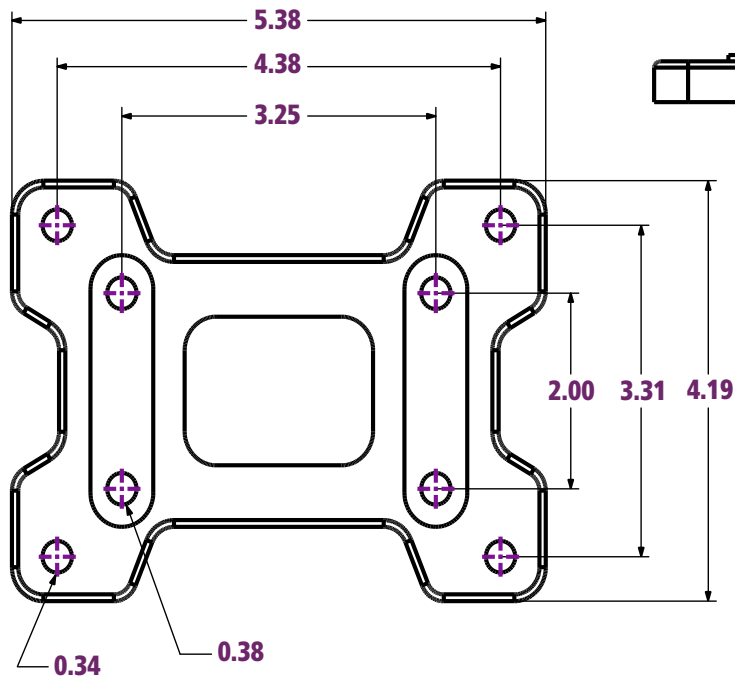
Output Shaft (in)	Output Keyway (in)
0.625	3/16 x 3/32

Handing Types



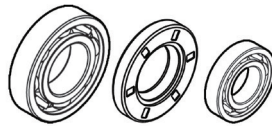
X133 Accessories

and X133 Base Kit Dimensions



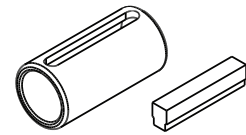
Foot Mounted Base Kit

XBK133



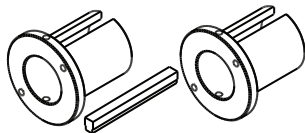
Component Repair Kit

XRK133



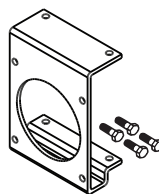
Input Quill Adapter Option

None



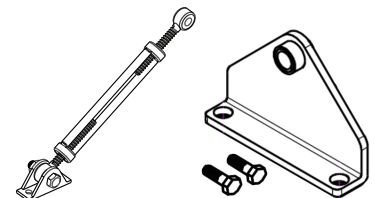
Output Bushing Kits*

Not Applicable



Output Bracket Kit*

XOB133



Torque Arm Kit*

XTA133

*Made to order.